

**[ Combination of Pilot Pins & Broach Cutters ]**

Size	Part No.			
	PILOT PIN 06025(C1) Part No.TK01167	PILOT PIN 08025(A1) Part No.TJ12696	PILOT PIN 06025(C1) Part No.TK01167	PILOT PIN08035(A2) Part No.TJ15859
	One-touch Type HI-BROACH		One-touch Type JETBROACH	
Diameter	Depth 25 mm		Depth 25 mm	Depth 35 mm
12	TK00698		TK01148	
13	TK00699		TK01149	
14	TK00700		TK01150	
15	TK00701		TK01151	
16	TK00702		TK01152	
17	TK00703		TK01153	
17.5		TK00335		TK00301
18		TK00336		TK00302
18.5				TK00303
19		TK00337		TK00304
19.5		TK00338		TK00305
20		TK00339		TK00306
20.5				TK00307
21		TK00340		TK00308
21.5		TK00341		TK00309
22		TK00342		TK00310
22.5		TK00343		TK00311
23		TK00344		TK00312
23.5		TK00345		TK00313
24		TK00346		TK00314
24.5		TK00347		TK00315
25		TK00348		TK00316
26		TK00349		TK00317
26.5		TK00350		TK00318
27		TK00351		TK00319

**[ Optional Items ]**

Cutting Oil  
2L Can (Blue)  
Part No. TB01507

Supporting  
Magnet Ass'y  
Part No. TB04374

Battery Charger \*  
Part No. TB09825  
(AUSTRALIA : Part No. TB09806)

Battery Pack \*  
Part No. TB09824

Guard \*  
Part No. TQ14333

\*Included in standard accessories.

**[ Specifications ]**

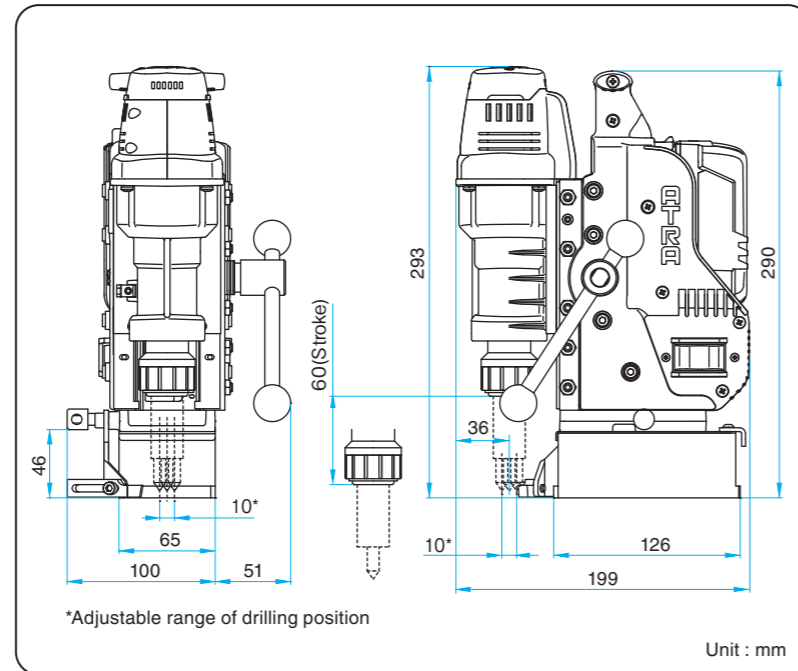
Model (Atra Main Unit)	<b>CLA-2720</b>	
Voltage	18 V	
Battery Pack (Lithium-ion Battery)	NBL18006 (18 V 4.0 Ah)	
No Load Speed	min <sup>-1</sup> 430	
	Hole Diameter	Plate Thickness
One-touch Type JETBROACH	mm 12 to 17	6 to 12
One-touch Type HI-BROACH	mm 17.5 to 27	6 to 20
	mm 12 to 15	6 to 12
	mm 16 to 27	6 to 20
Magnet Holding Power	N(kgf) 5,500(561)	
Magnet Dimensions	mm 65 x 126	
Adjustment range of Right and Left drilling position	10 mm	
	Back and forth 10 mm	
Mass (Weight)	kg 7*	
Standard Accessories	<ul style="list-style-type: none"> <li>● Carry Case Ass'y : 1set</li> <li>● Cutting Oil 0.5L Ass'y : 1set</li> <li>● Jet oiler NO.3013 : 1pc.</li> <li>● Tube 4x7 : 1m</li> <li>● Battery Charger : 1pc.</li> <li>● Battery Pack 18V NBL18006 : 2pcs.</li> <li>● Guard : 1pc.</li> <li>● Lashing Belt BLC002R-015 : 1pc.</li> <li>● Handle Ass'y : 1set</li> <li>● Blade : 1pc.</li> <li>● Hex. Socket Head Cap Screw 5x12 : 1pc.</li> <li>● Hex. Socket Head Set Screw 8x28 : 1pc.</li> <li>● Hex. Socket Screw Key 3 : 1pc.</li> <li>● Hex. Socket Screw Key 4 : 1pc.</li> <li>● Spanner 8x10 : 1pc.</li> </ul>	

\* Including Battery Pack and Feed Handle.

Model (Battery Pack)	<b>NC14435</b>
Power Source	220 - 240 V AC
Charging Time	90 min*
Chargeable battery pack	NBL18006(18 V 4.0 Ah)

\* In case of a full charge from an empty battery. However, it can be charged up to 95% in 45 min.

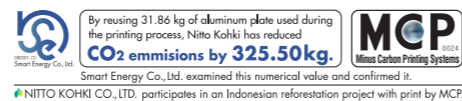
**[ Dimensions ]**



**Head Office**  
9-4, Nakaikegami 2-chome, Ohta-ku, Tokyo 146-8555 Japan  
Tel : +81-3-3755-1111 Fax : +81-3-3753-8791  
E-mail : overseas@nitto-kohki.co.jp [Web www.nitto-kohki.co.jp/e](http://www.nitto-kohki.co.jp/e)

DISTRIBUTED BY

This catalog is printed using environmentally friendly paper and vegetable oil inks.



**HANDY**

**Total Weight Just 7 kg**

Weight reduced by utilising a moulded plastic Housing

**Powered by a Battery**

It makes it possible to drill holes anywhere

**TOP-LEVEL SAFETY**

**Highly Sensitive Sensor Equipped**

Side Slip and Inclination detected by a built-in sensor

**Self-check Function**

The machine checks for faults itself

**Cordless and compact body**

**Powered by a Battery !!**

Suitable for high or narrow or hard to access areas.

**HIGHLY ADVANCED ENERGY-SAVING**

**Magnetic Force Control Function**

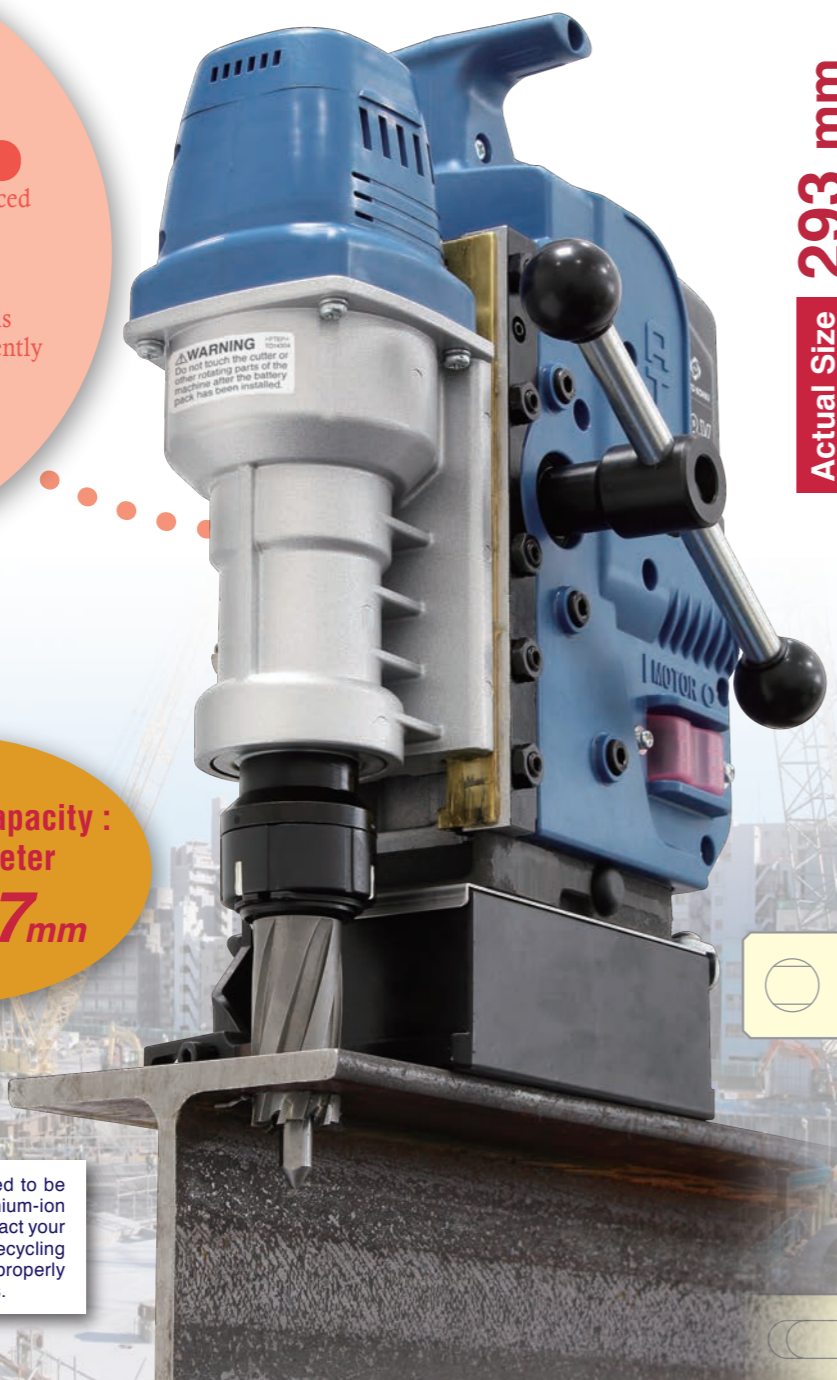
The magnet force is automatically reduced when the drill is not running

**Soft Start Function**

The large electric current on start-up is prevented by starting the electric drill gently

**Automatic Drill Stop and Warning Function**

Unnecessary operations are eliminated



**Hole Cutting Capacity : Hole Diameter 12 to 27mm**



Lithium-ion batteries are required to be recycled; never discard a lithium-ion battery in the waste. Please contact your local sales office or community recycling program for information on properly disposing of lithium-ion batteries.

**[ LED INDICATION ( BATTERY & MOTOR ) ]**

The high luminance LED lamp will give full support to your drilling!

● **LED INDICATION / The battery level can be confirmed at a glance.**

	VOLTAGE LEVEL			
	Please charge the battery			Charged!
BATTERY LEVEL INDICATION				
	RED BLINKING CONTINUOUS	RED 3 TIMES*	YELLOW 3 TIMES*	GREEN 3 TIMES*
	BATTERY LEVEL LOW	REQUIRE CHARGING	PARTIALLY CHARGED	FULL

\*After the lamp flashes 3 times with the color according to the battery level, the lamp turns green.

LED Indication



● **LED INDICATION / The load on the Motor can be monitored while drilling.**

	ELECTRIC CURRENT OF THE ELECTRIC DRILL				
	Efficient Load			Caution!	
MOTOR LOAD INDICATION					
	GREEN	YELLOW	RED	RED BLINKING	(WHITE)BLINKING
	LIGHT LOAD	MEDIUM LOAD	OVERLOAD	MOTOR STOPPED BY OVERLOAD	

If the excessive load is kept applied on the drill, the Motor will come to a full stop to protect the Motor and the operator.

SLIDE SLIP DETECTION



When a slide slip is detected, the blue lamp will flash and the Motor will stop automatically.

**SAFETY**

"NO LOAD" DETECTION



While the electric drill is running, if no load is applied for 7 seconds, the green lamp will flash. After another 3 seconds without load, the electric drill will be stopped automatically.

**ENERGY-SAVING**

MOTOR NOT ACTIVATED IN TIME



After the Magnet switch is turned on, if the Motor switch is not turned on within 10 seconds, the green lamp will flash.

**[ Battery Pack & Battery Charger ]**



Using the Lithium-ion battery It takes about 90 minutes for a full charge.\*

\*Sufficient charge (95%) can be achieved in just 45 minutes.

**[ Adjustment of Drilling Position ]**



Adjustable back and forth, right and left 10 mm



Can be attached on the right or left hand side.

**[ Optional Items ]**



● Pipe Attachment Ass'y (Part No. TB07696)

For pipe size 48.3 - 323.9 mm dia. (with JBO35L only)

● Oil Tank Ass'y (Part No. TB09657)